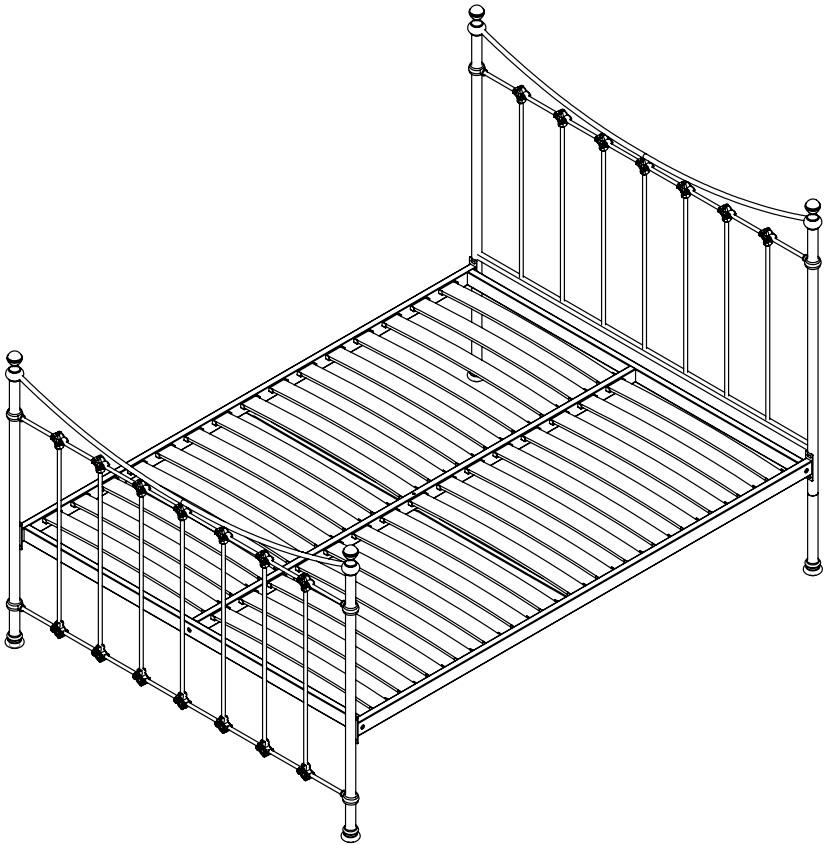
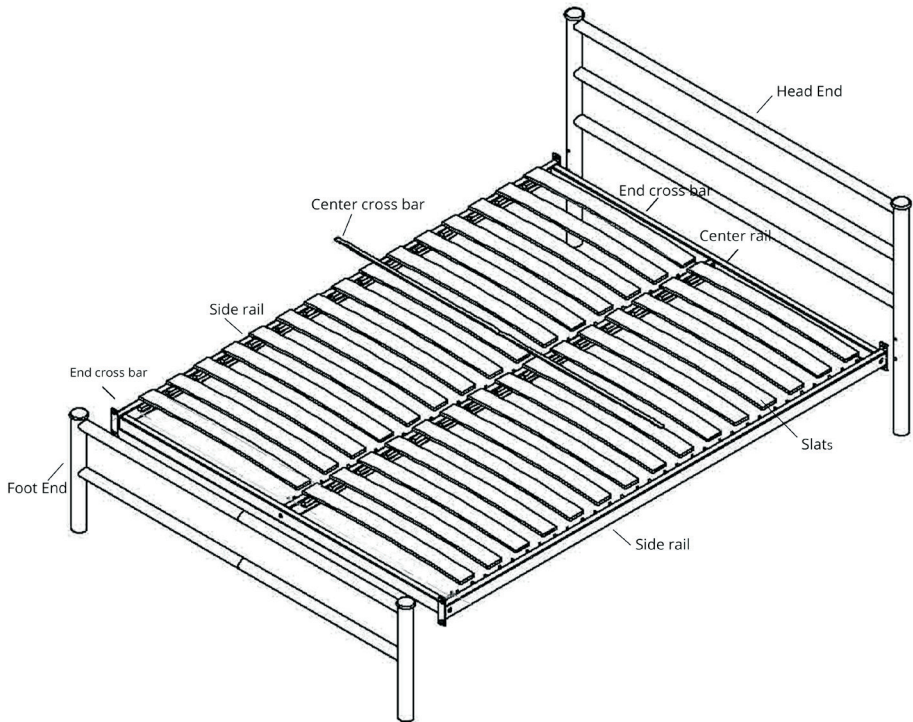


Product Information

Brass & Cast Bedsteads



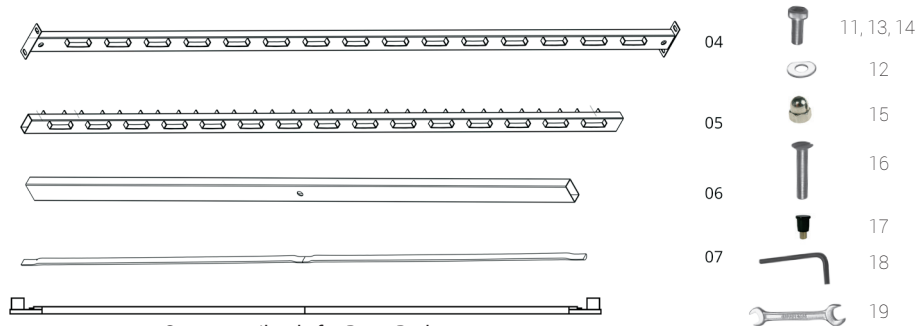


PARTS CHECK LIST

01	Headend	1
02	Footend	1
03	Head end extension legs	2
04	Side rails	2
05	Center rail (not for 3' bed)	1
06	End cross bar	2
07	Center cross bar	1
08	Slats (15 for the 3' bed)	30

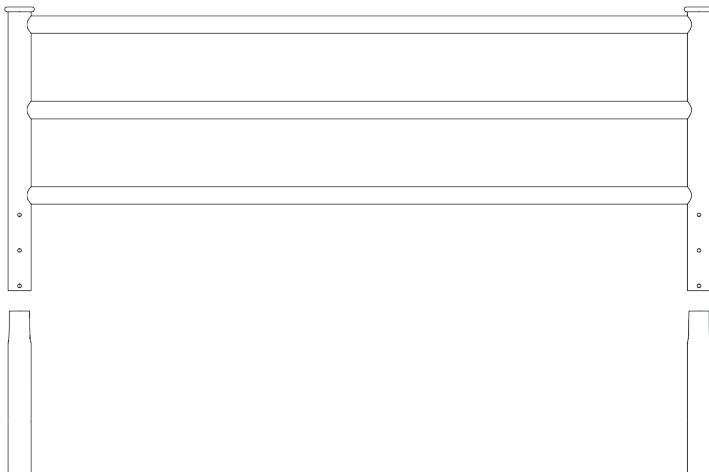
FITTINGS CHECK LIST

11	Bolt M8 x 30 (pre fitted in head end and footend)	8
12	Washer (pre fitted in head end and footend)	8
13	Bolt M8 x 30 (pre fitted in end cross bar)	4
14	Bolt M8 x 30 (pre fitted in center cross bar)	2
15	Dome Nut 8mm	3
16	Flathead Screw M8 x 60mm	3
17	Plastic plugs	6
18	Allen Key 6mm	1
19	Spanner	1

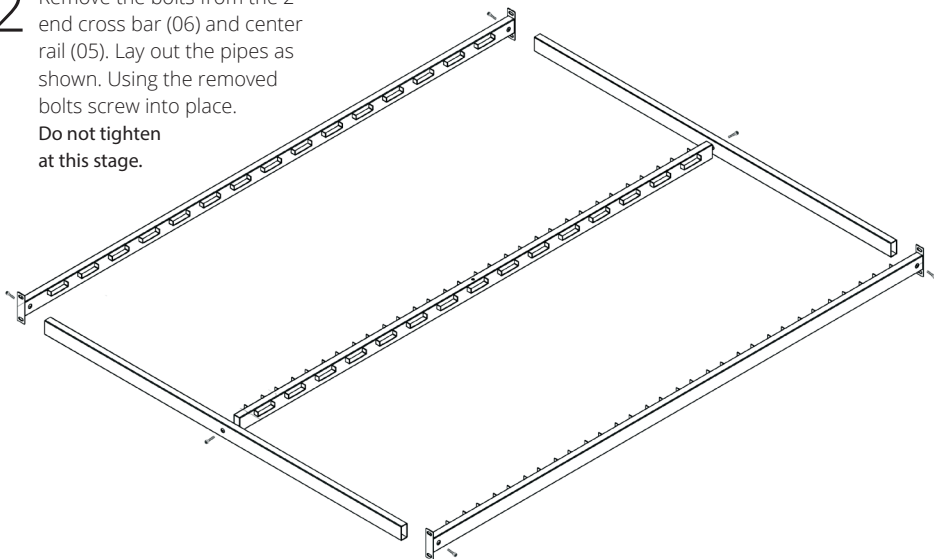


Support rail only for Brass Beds.
To be removed and discarded.

1 Fit the extension legs to the ends of the headend 01 as shown.

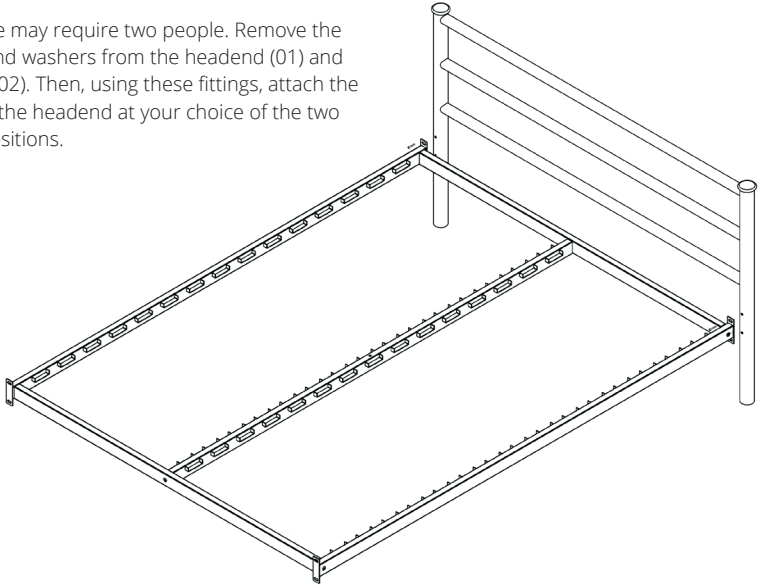


2 Remove the bolts from the 2 end cross bar (06) and center rail (05). Lay out the pipes as shown. Using the removed bolts screw into place. **Do not tighten at this stage.**



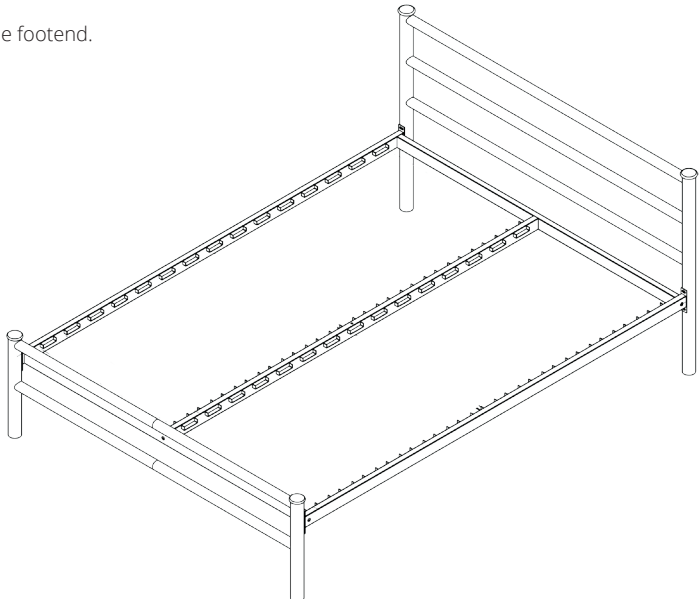
3

This stage may require two people. Remove the screws and washers from the headend (01) and footend (02). Then, using these fittings, attach the frame to the headend at your choice of the two height positions.



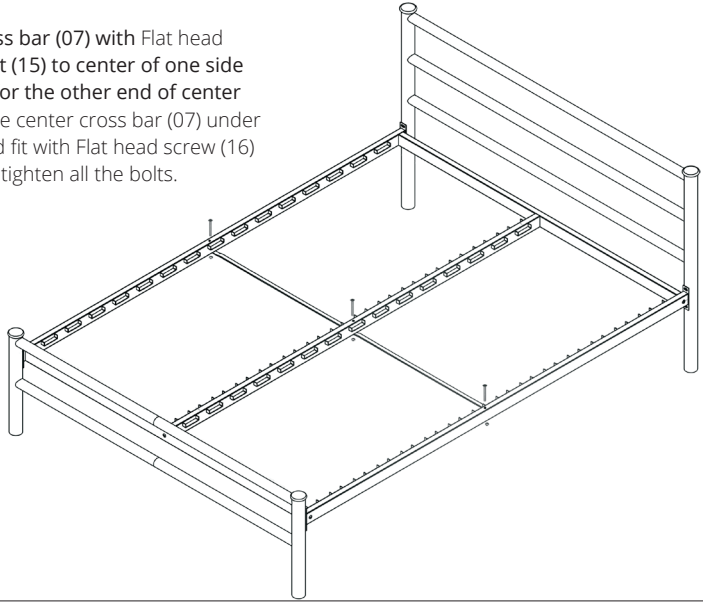
4

Similarly attach the footend.



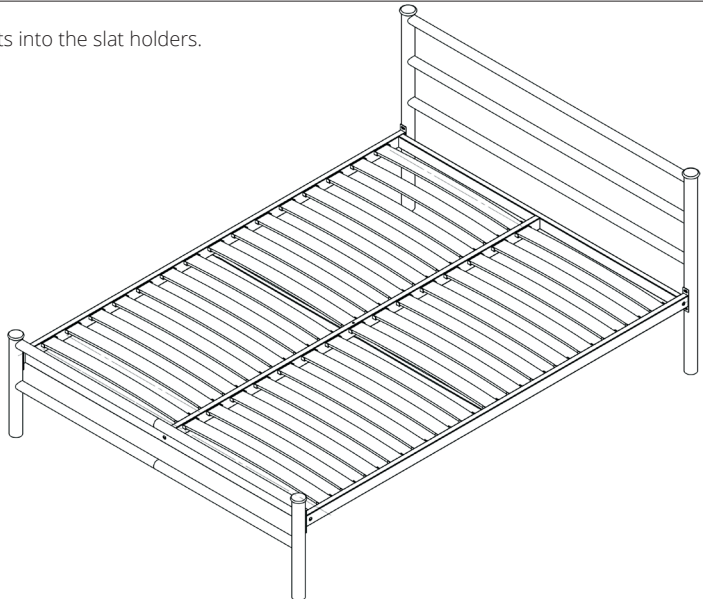
5

Fit the centre cross bar (07) with Flat head screw (16) and nut (15) to center of one side rail (04) . Repeat for the other end of center cross bar. Align the center cross bar (07) under center rail (05) and fit with Flat head screw (16) and nut (15). Now tighten all the bolts.

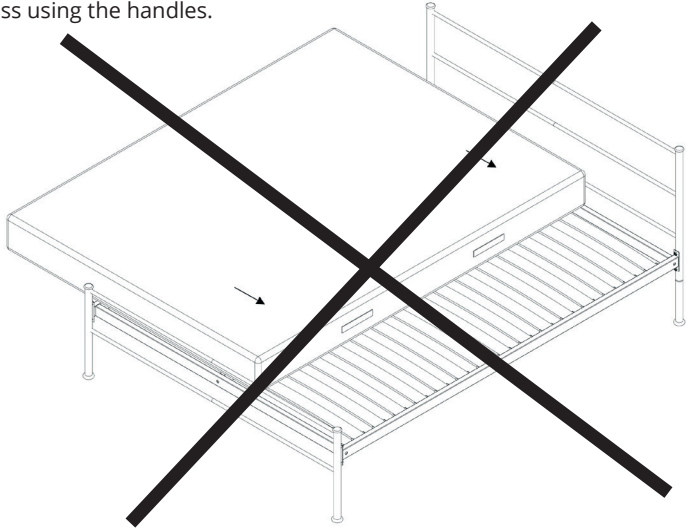


6

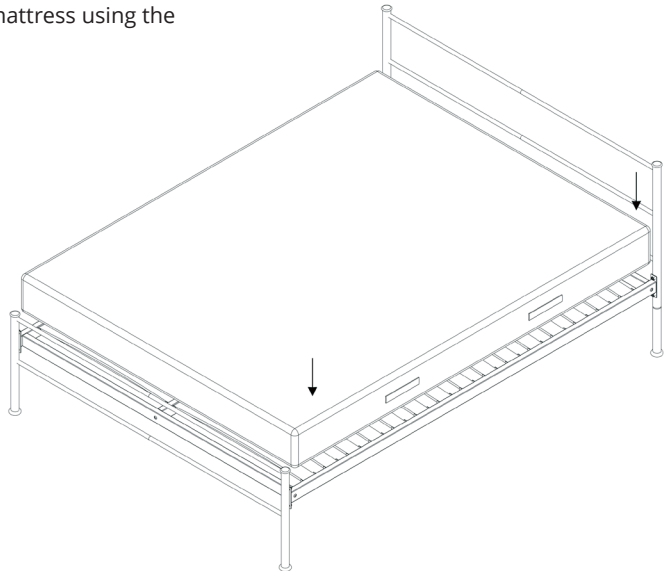
Now drop the slats into the slat holders.



7 Do not slide mattress over the slats. Gently place on the mattress using the handles.



9 Gently place on the mattress using the handles.



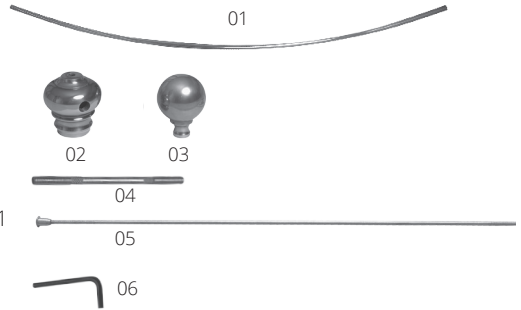
Fitting of Top Rail, Knobs and Collars if applicable

PARTS CHECK LIST

- 01 Brass, Chrome or painted top rail 2
- 02 Collars 4
- 03 Knobs 4

FITTING CHECK LIST

- 04 3/8" Threaded stud 4
- 05 6mm Threaded Stud 715mm for headend 1
- 05 6mm Threaded Stud 786mm for footend 1
- 06 Allen Key



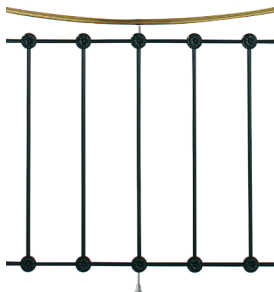
- 1 Fit stud (04) into threads provided in the legs.



- 2 Next fit brass tube into holes in the collar and lower into legs of the frame, making sure that the stud is passing through the center of the tube.



- 3 Tilt the headboard or foot board and using 6mm threaded stud attach the top rail to the end. Tighten.



- 4 Finally screw both the knobs onto the stud.



Fitting of Knobs if applicable

PARTS CHECK LIST

01 Knobs 4

FITTING CHECK LIST

02 3/8" Threaded stud 4



01



02



Underbed drawer

PARTS CHECK LIST UNDERBED DRAWER

- 21 Underbed drawer 1
- 22 Extension arms 2

21

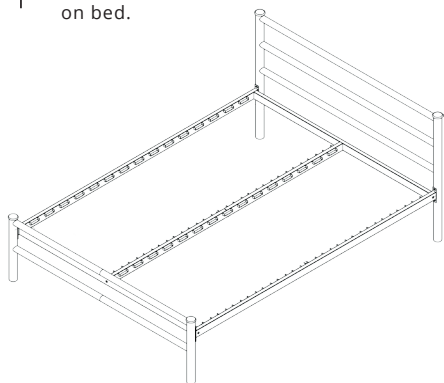


22



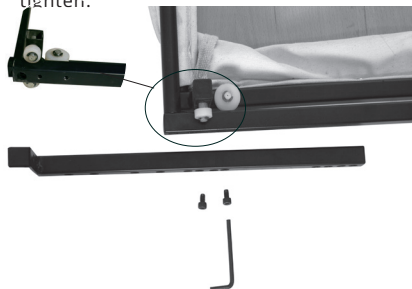
1

Remove slats from side you are fitting the underbed drawer or do not put slats on bed.



2

Remove prefitted allen key bolt (24) and washer (24) from drawer and use to attach the extension arm (22) to each side of the underbed drawer (21) using allen key bolt (25) and allen key. Do not tighten.



3

Now fit the drawer onto the siderail (04) of bed as shown below by resting the L-bracket on the top of the rectangular side rail.



4

Now adjust the extension arm (22) so that it rests on the center rail (05) of the bed. For a 3'0" bed it should rest on the other side rail. Tighten the bolts (23).

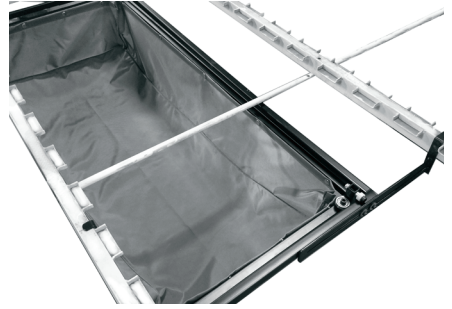


5



6

Now you can fit the center cross bar.



7

Drop the slats into place.



